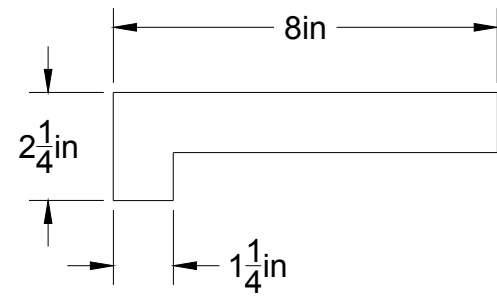
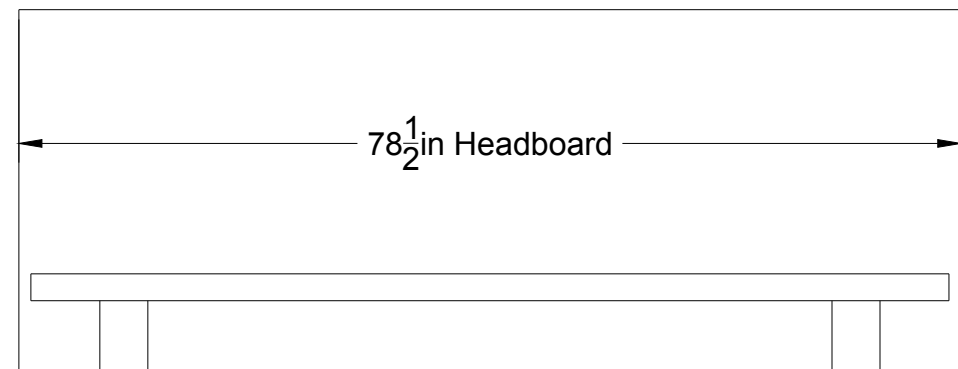
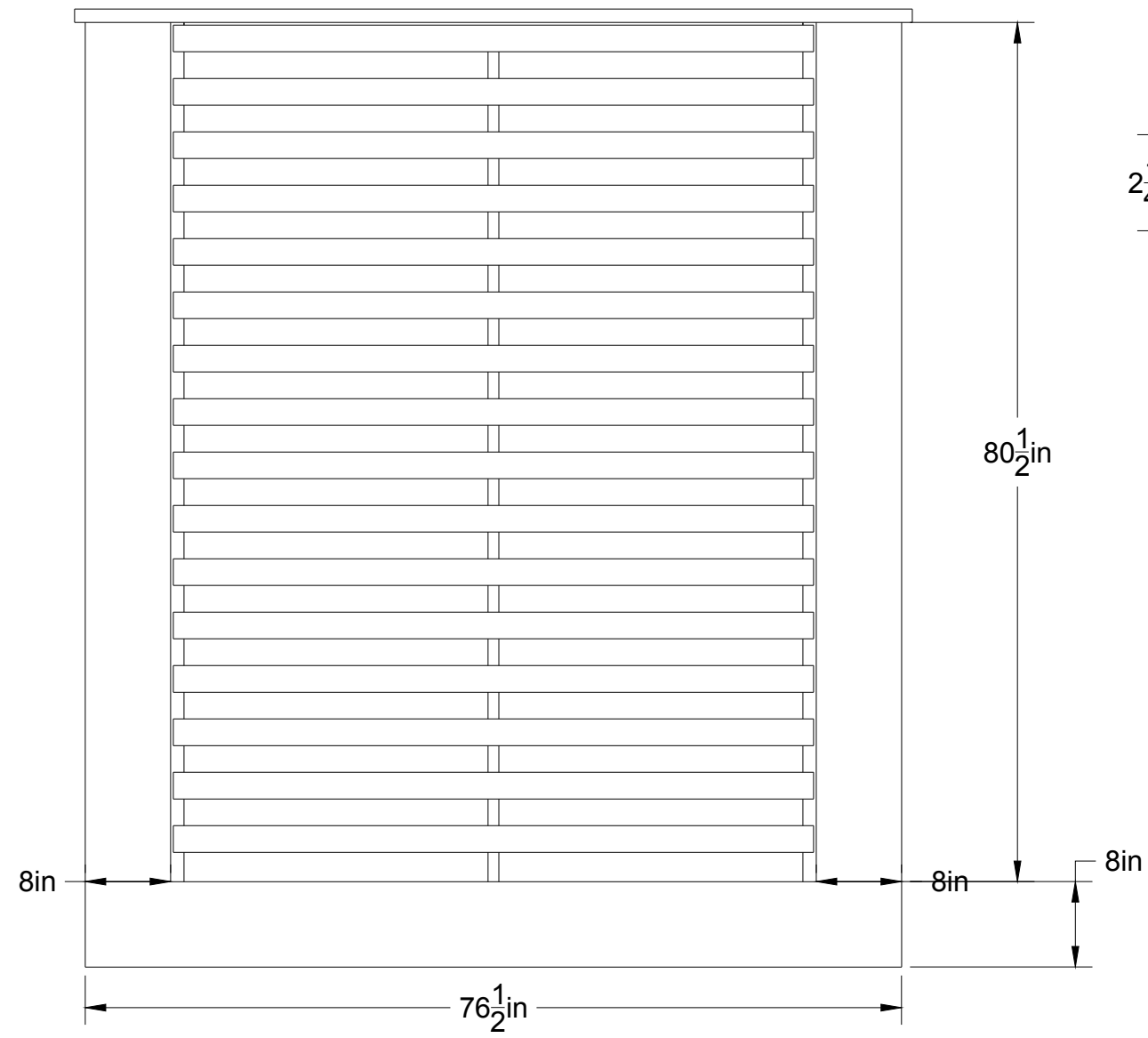


Comments	Materials	Date 4/14/21		Client Queeny	
		Drawn MH	Approved TA	Project Zakrose iMac	
		Page/of 1/4	Scale 1:16		

zakrose

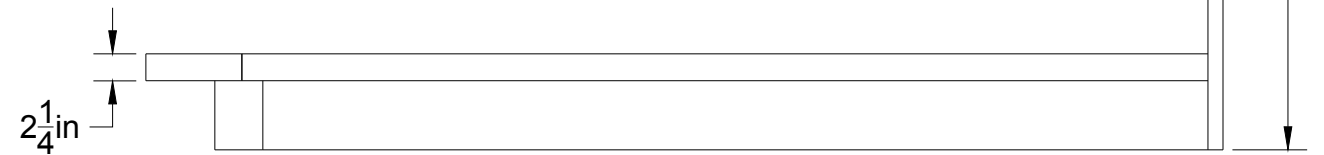
2100 N Major Ave, Chicago, IL, 60639
zakrose.com | zak.rose@gmail.com



Bottom

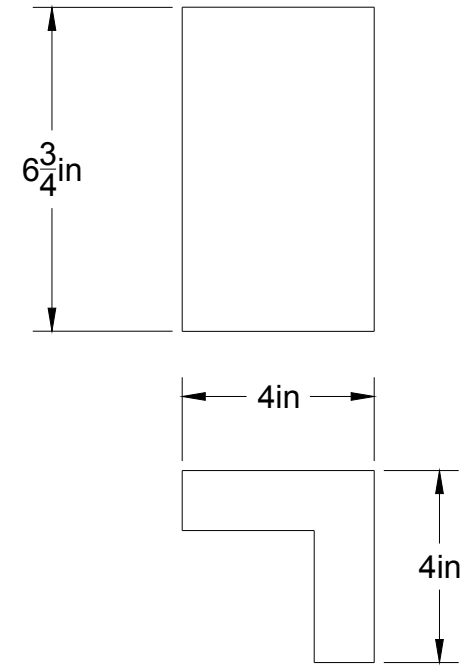
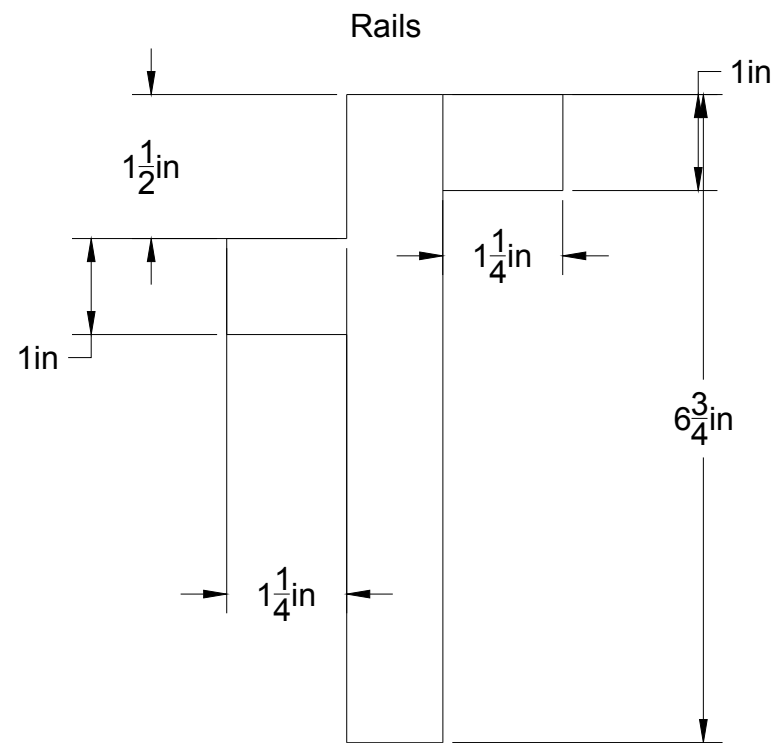
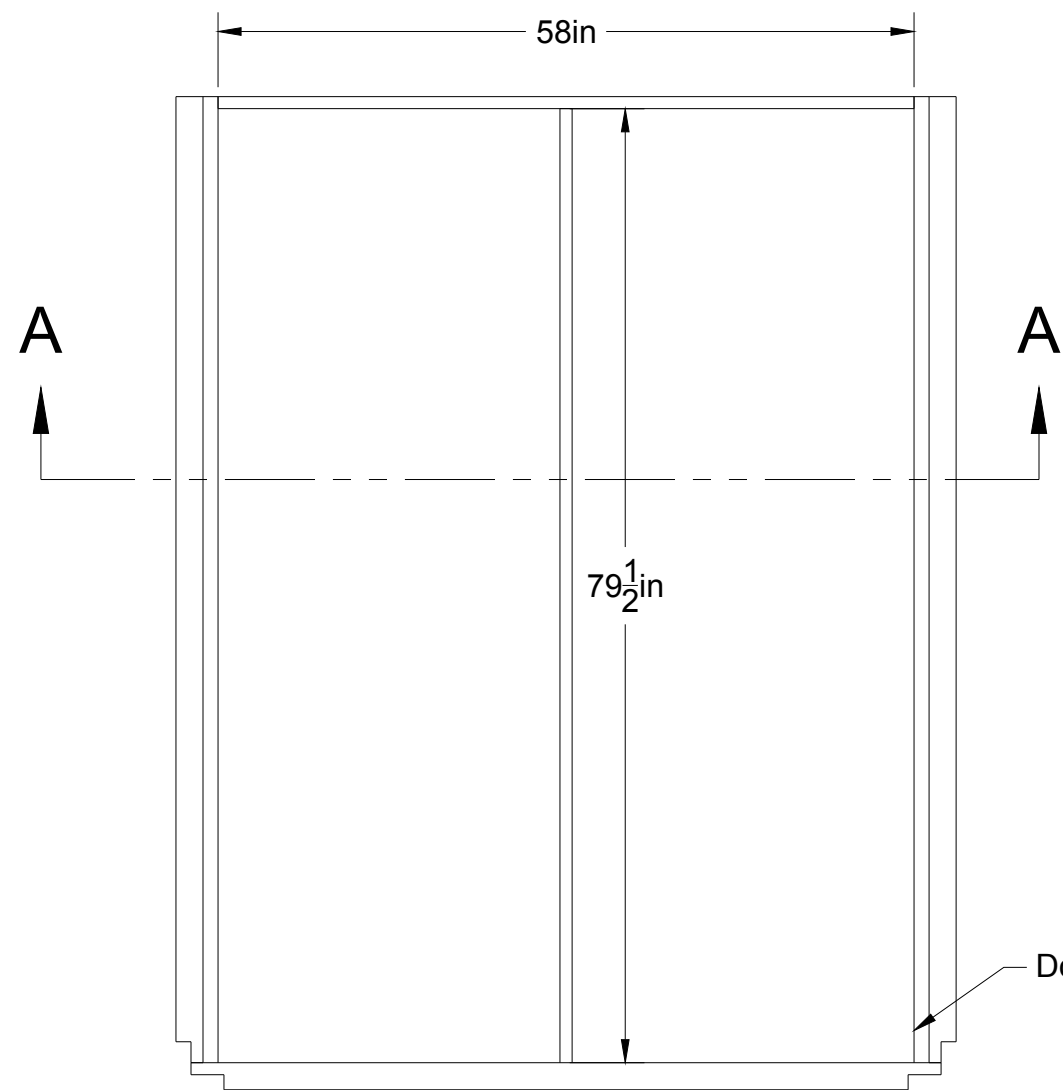


Miter

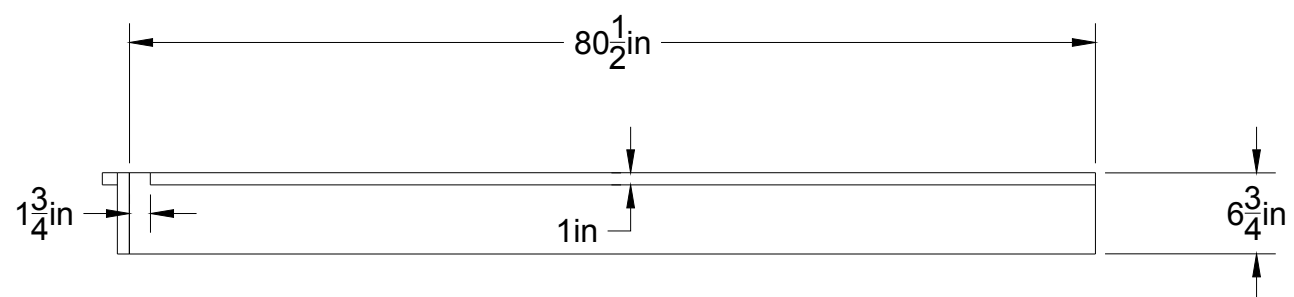
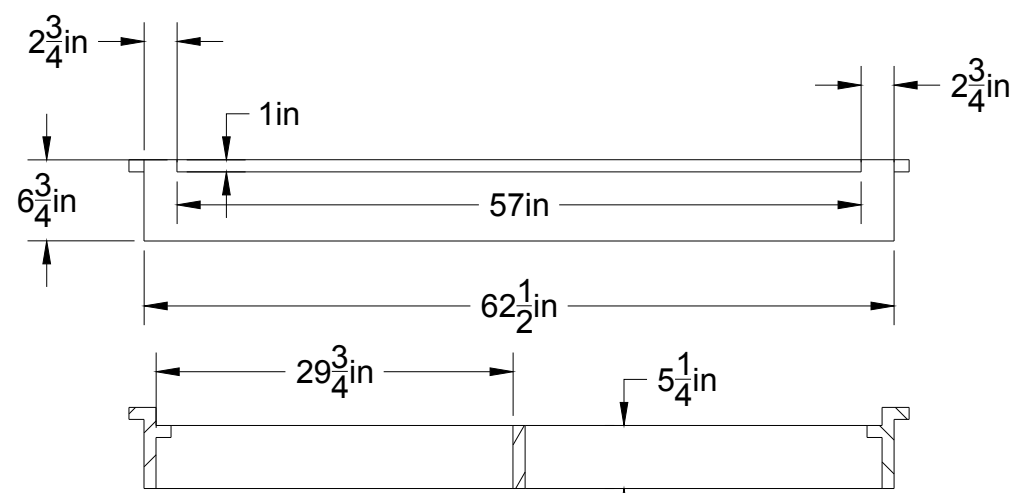


Comments	Materials	Date 4/14/21		Client Queeny		
		Drawn	Approved	Project Zakrose iMac		
		Page/of 2/4	Scale 1:16			
		<p style="text-align: right;">zakrose 2100 N Major Ave, Chicago, IL, 60639 zakrose.com zak.rose@gmail.com</p>				

Feet (x2)



Domino, Steel Bracket Connection in Corners



SECTION A-A
SCALE 1:16

Comments

Materials

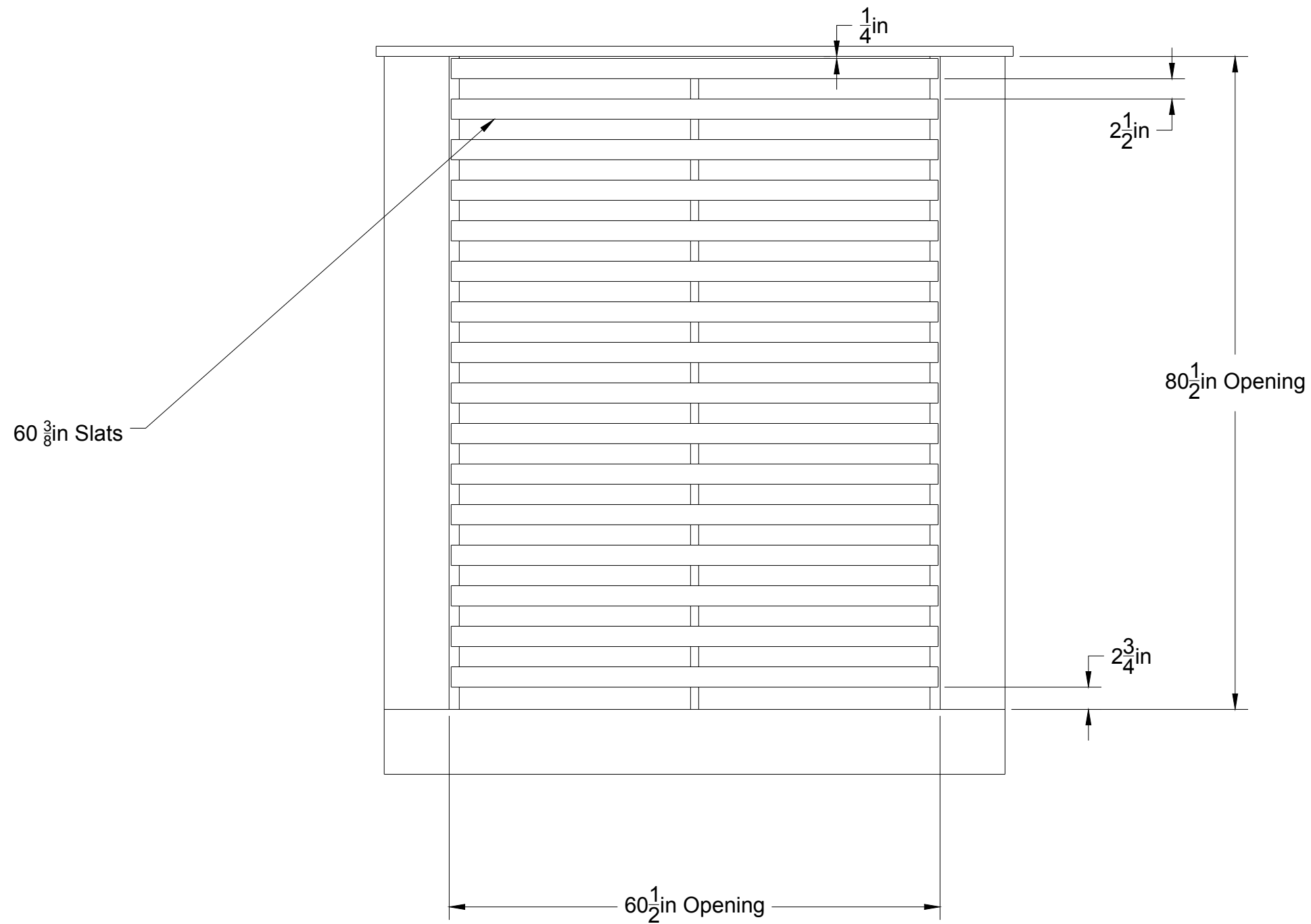
Date
4/14/21
Drawn
MH
Page/of
3/4

Approved
MH
Scale
1:16

Client
Home
Project
Queen Bed

zakrose

2100 N Major Ave, Chicago, IL, 60639
zakrose.com | zak.rose@gmail.com



Comments	Materials	Date 4/14/21		Client Queeny
		Drawn	Approved	Project Zakrose iMac
		Page/of 4/4	Scale 1:16	
		<p style="text-align: right;">zakrose 2100 N Major Ave, Chicago, IL, 60639 zakrose.com zak.rose@gmail.com</p>		